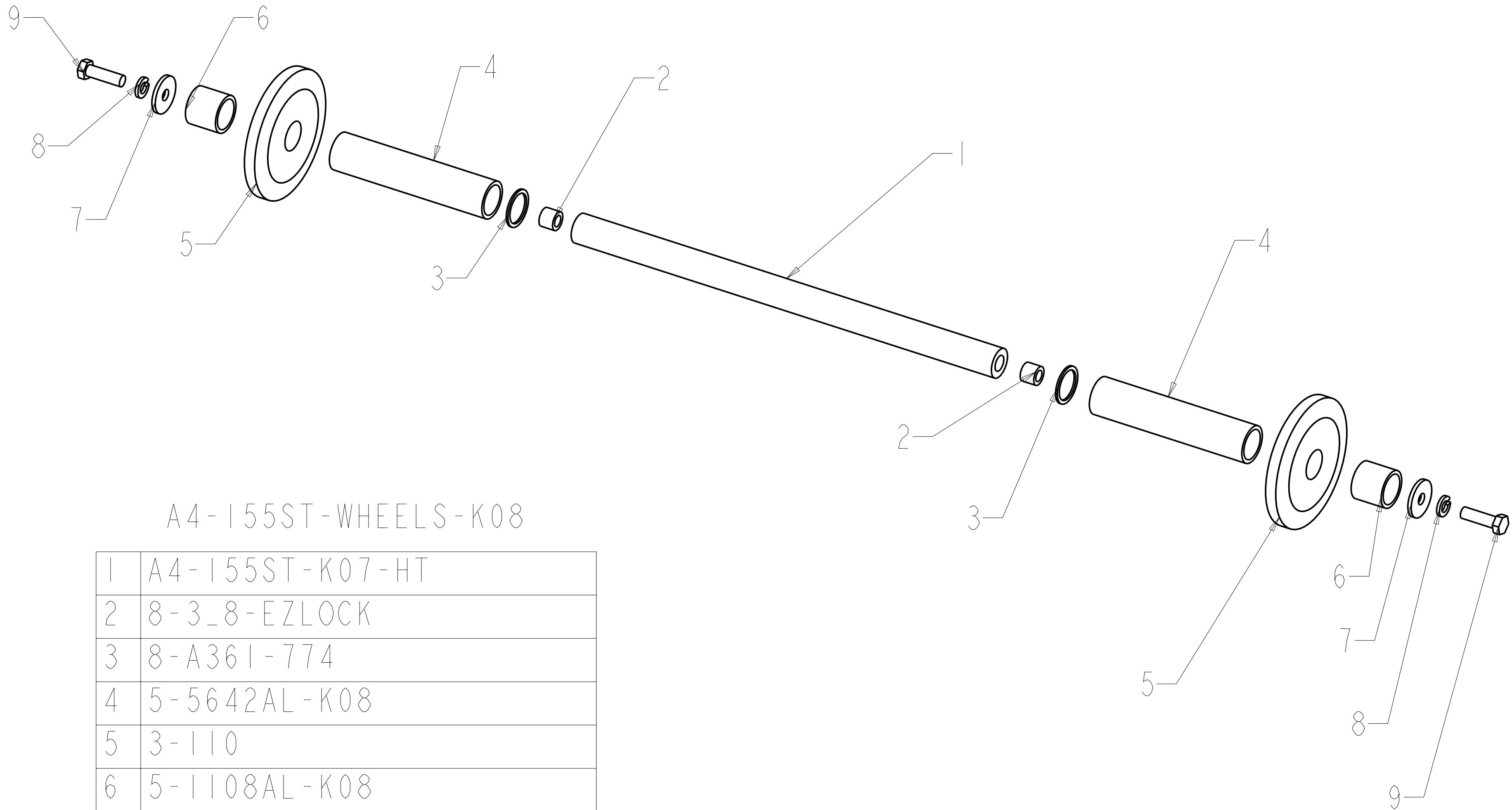


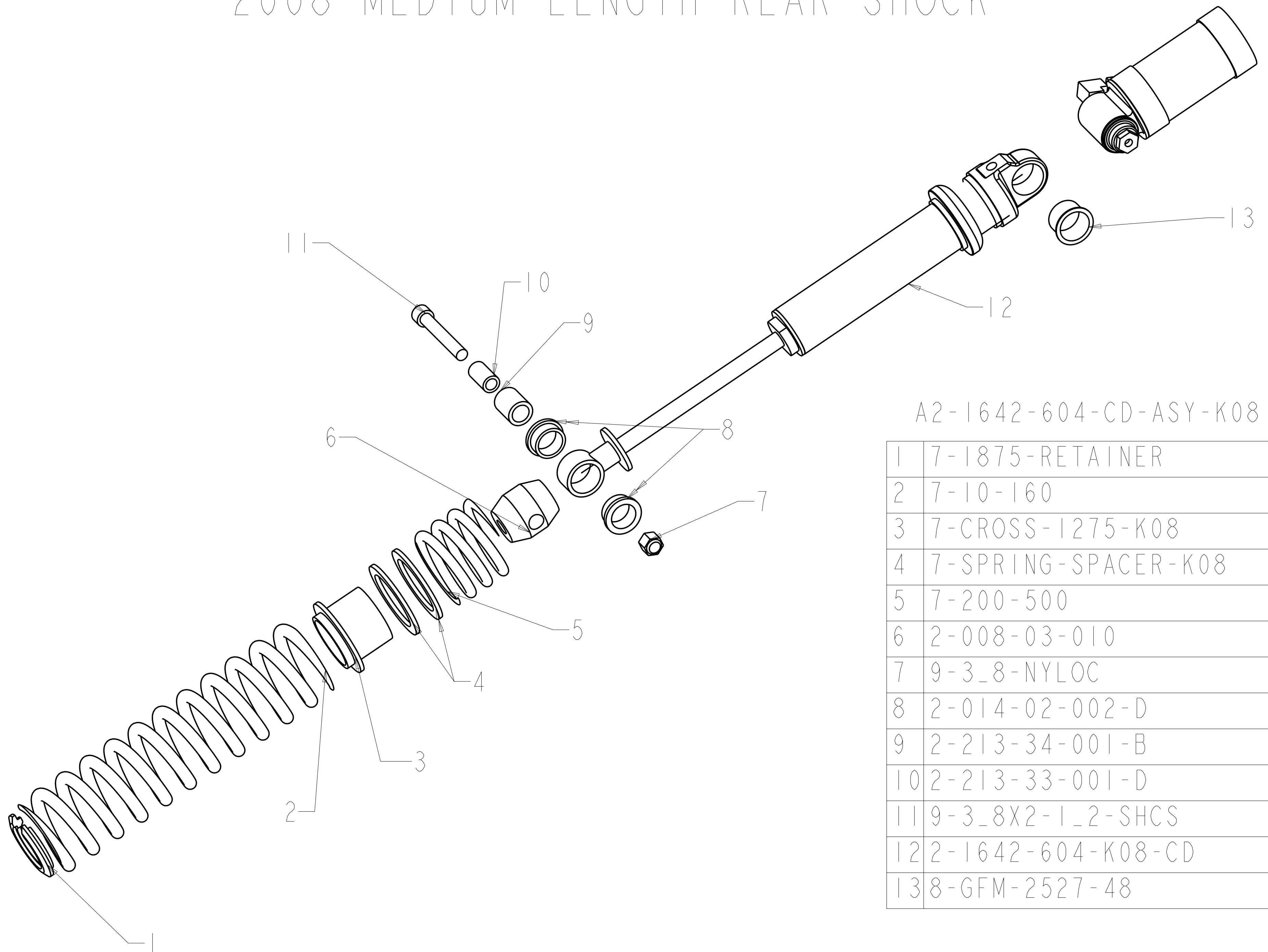
2008 REAR CROSS SHAFT ASSEMBLY



A4-155ST-WHEELS-K08

1	A4-155ST-K07-HT
2	8-3_8-EZLOCK
3	8-A361-774
4	5-5642AL-K08
5	3-110
6	5-1108AL-K08
7	9-3_8-1-1_4-THK
8	9-3_8-LW
9	9-3_8X1-1_4-CS

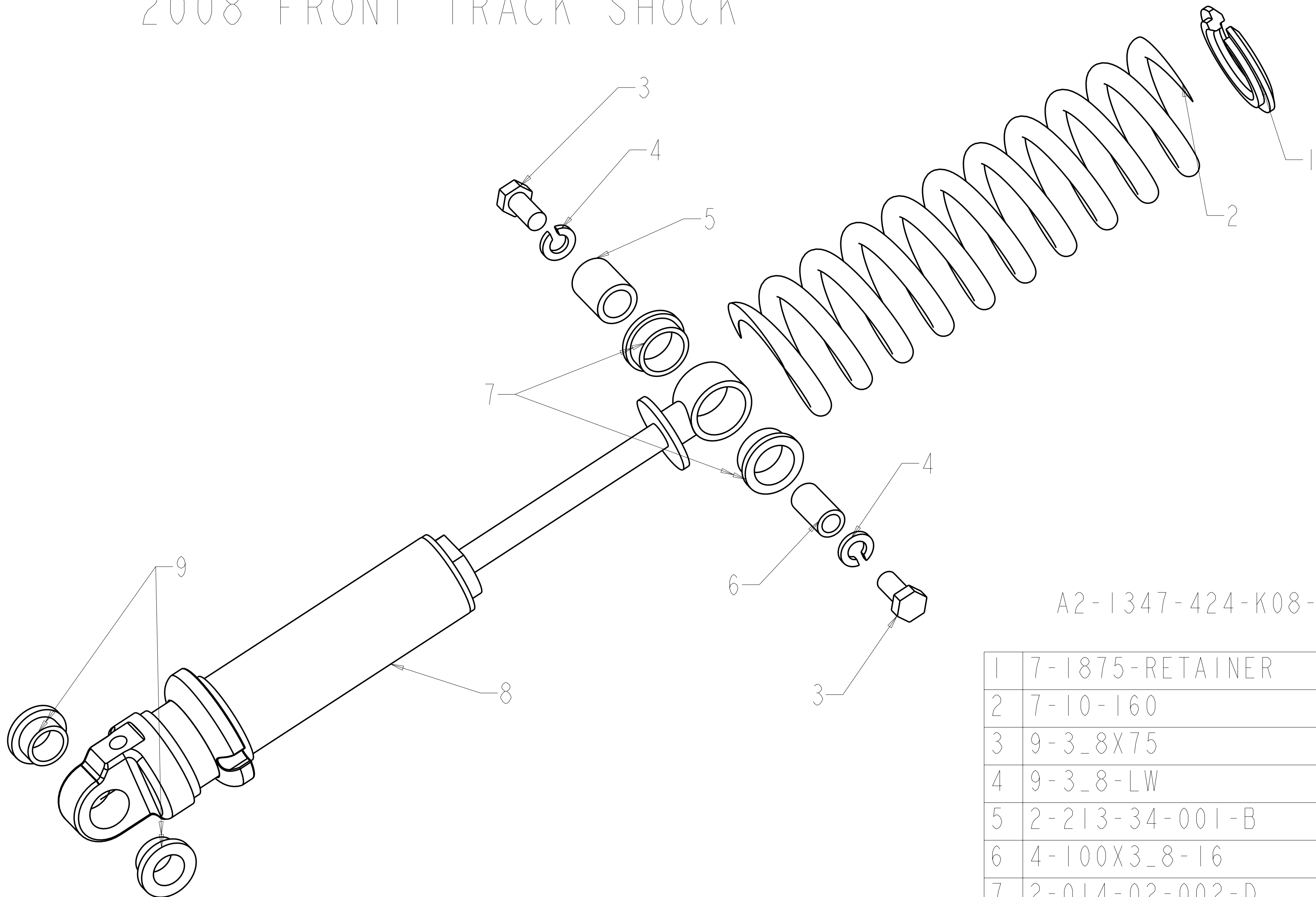
2008 MEDIUM LENGTH REAR SHOCK



A2-1642-604-CD-ASY-K08

1	7-1875-RETAINER
2	7-10-160
3	7-CROSS-1275-K08
4	7-SPRING-SPACER-K08
5	7-200-500
6	2-008-03-010
7	9-3_8-NYLOC
8	2-014-02-002-D
9	2-213-34-001-B
10	2-213-33-001-D
11	9-3_8X2-1_2-SHCS
12	2-1642-604-K08-CD
13	8-GFM-2527-48

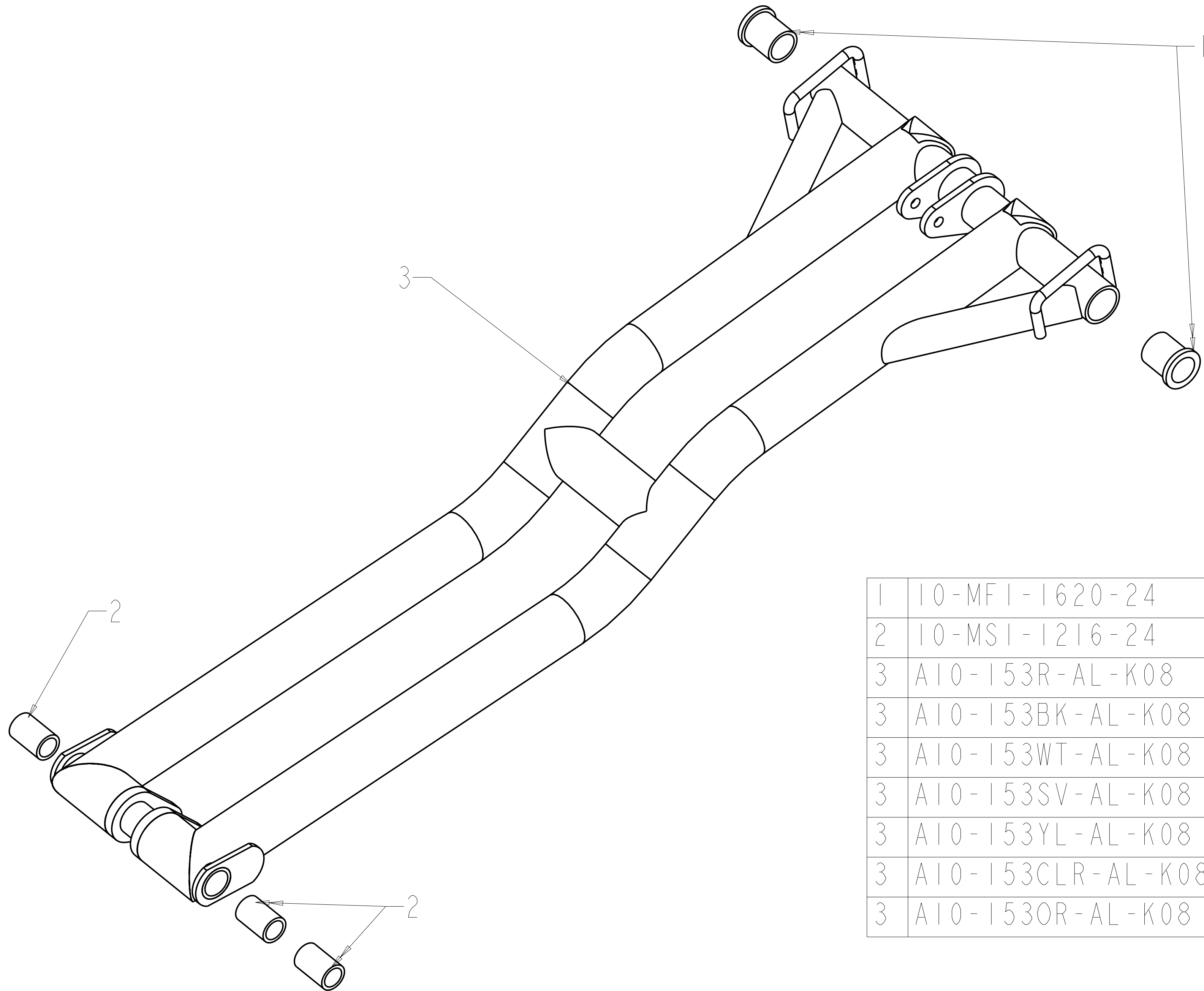
2008 FRONT TRACK SHOCK



A2-1347-424-K08-IFP

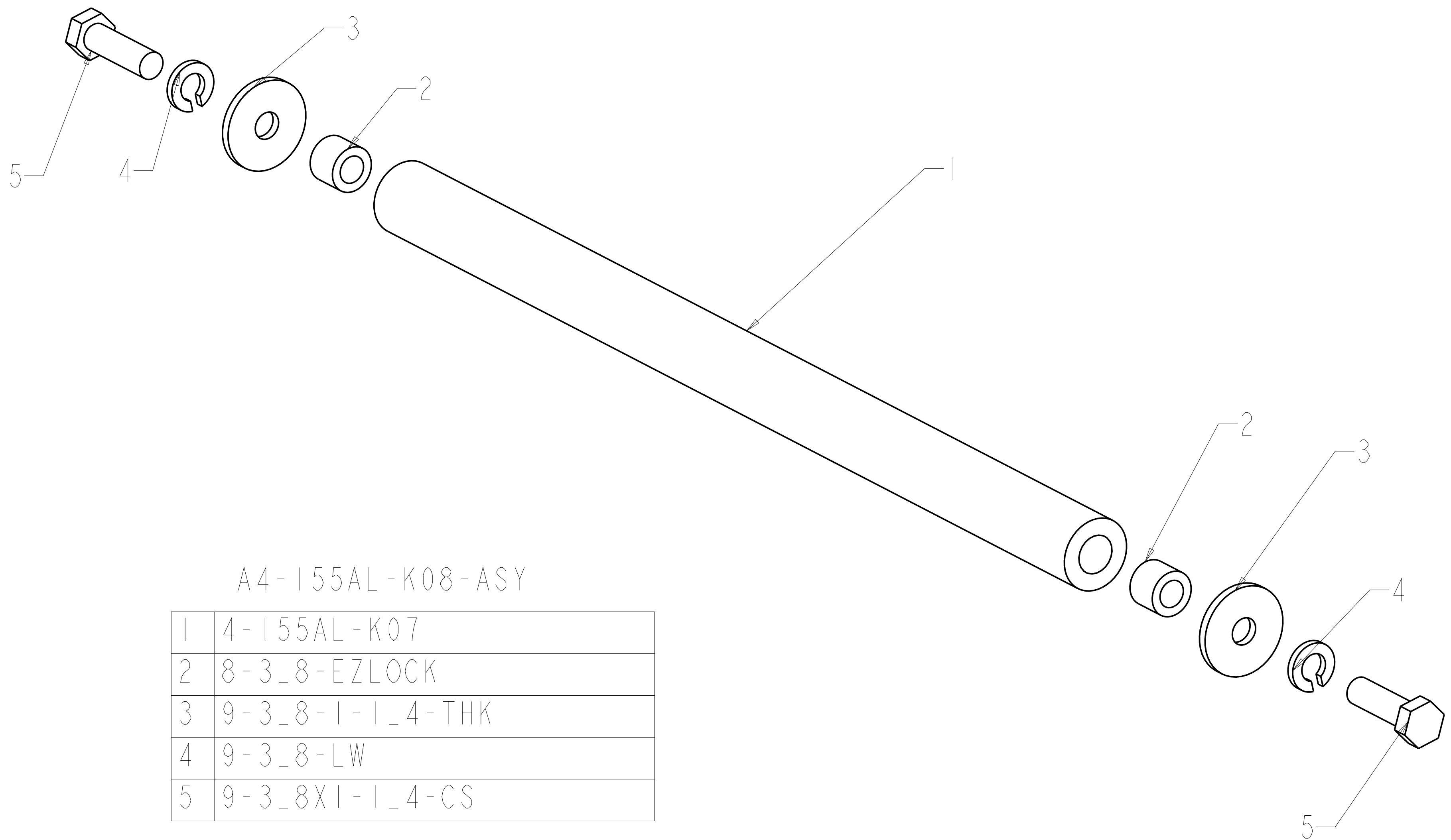
1	7-1875-RETAINER
2	7-10-160
3	9-3_8X75
4	9-3_8-LW
5	2-213-34-001-B
6	4-100X3_8-16
7	2-014-02-002-D
8	2-1347-424-K08-IFP
9	8-MF1-1013-08

2008 MEDIUM SWING ARM ASSEMBLY



1	10-MF1-1620-24
2	10-MS1-1216-24
3	A10-153R-AL-K08 (RED)
3	A10-153BK-AL-K08 (BLACK)
3	A10-153WT-AL-K08 (WHITE)
3	A10-153SV-AL-K08 (SILVER)
3	A10-153YL-AL-K08 (YELLOW)
3	A10-153CLR-AL-K08 (CLEAR)
3	A10-153OR-AL-K08 (ORANGE)

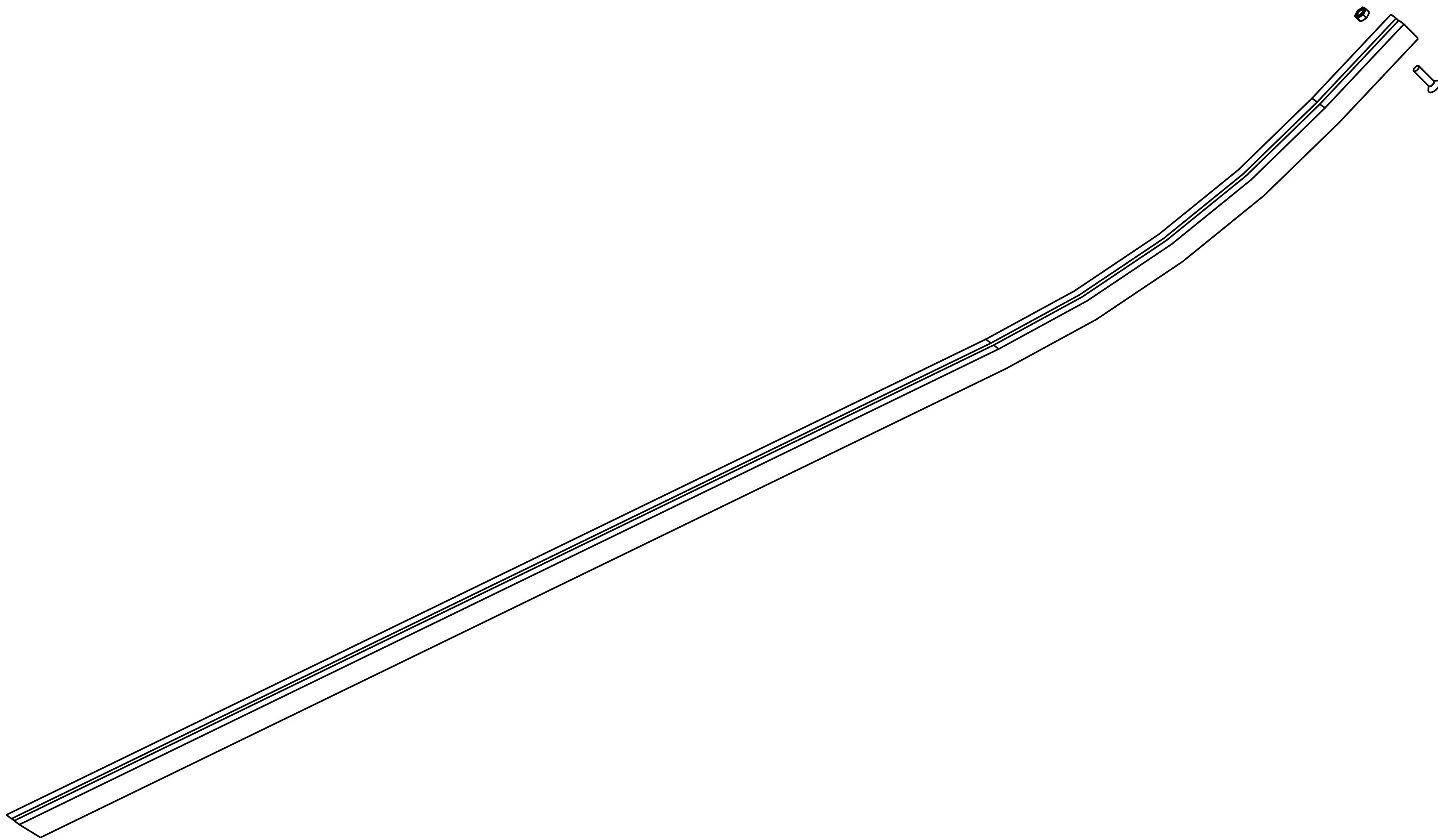
2008 FRONT CROSS SHAFT



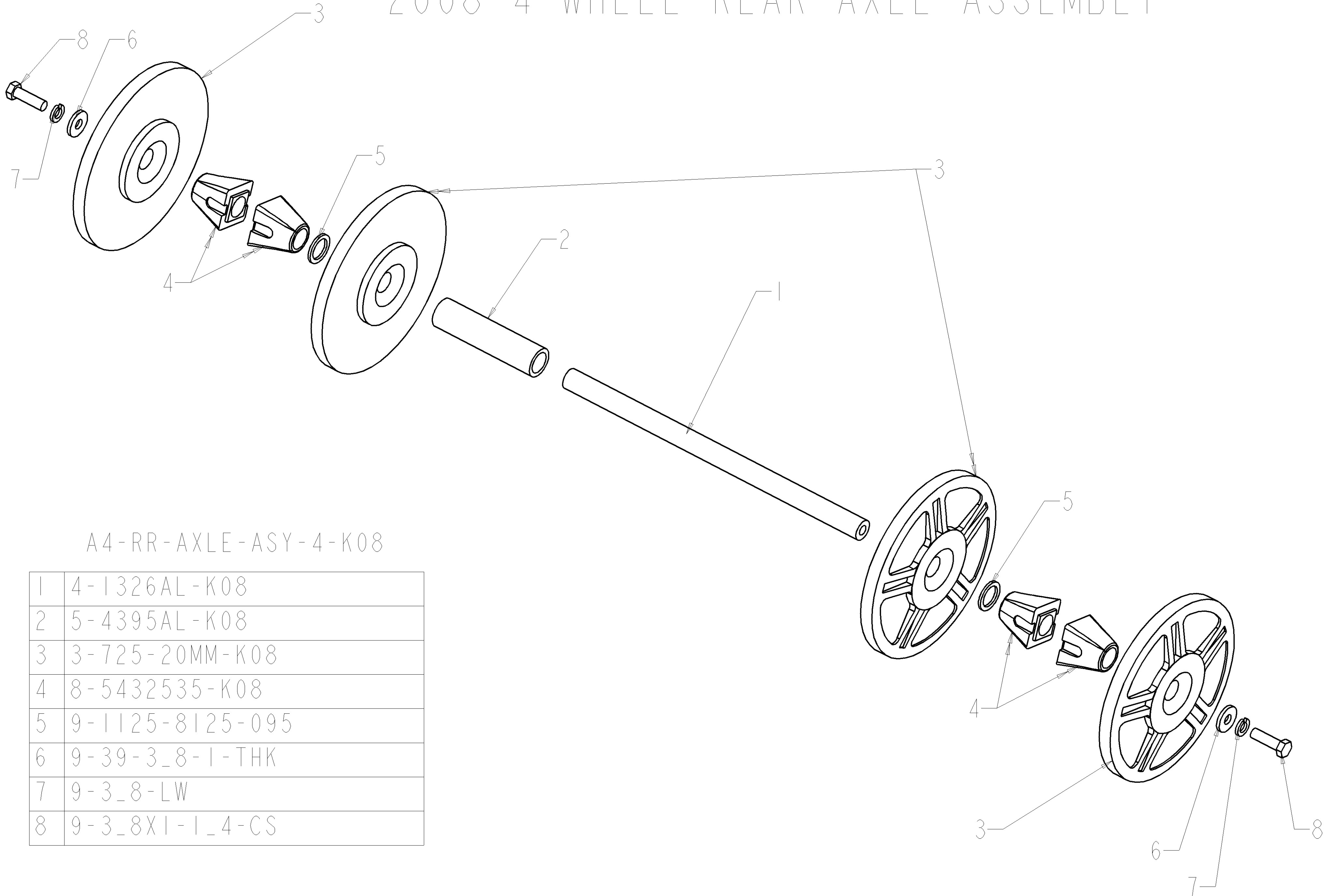
A4-155AL-K08-ASY

1	4-155AL-K07
2	8-3_8-EZLOCK
3	9-3_8-1-1_4-THK
4	9-3_8-LW
5	9-3_8X1-1_4-CS

A8-0604-230



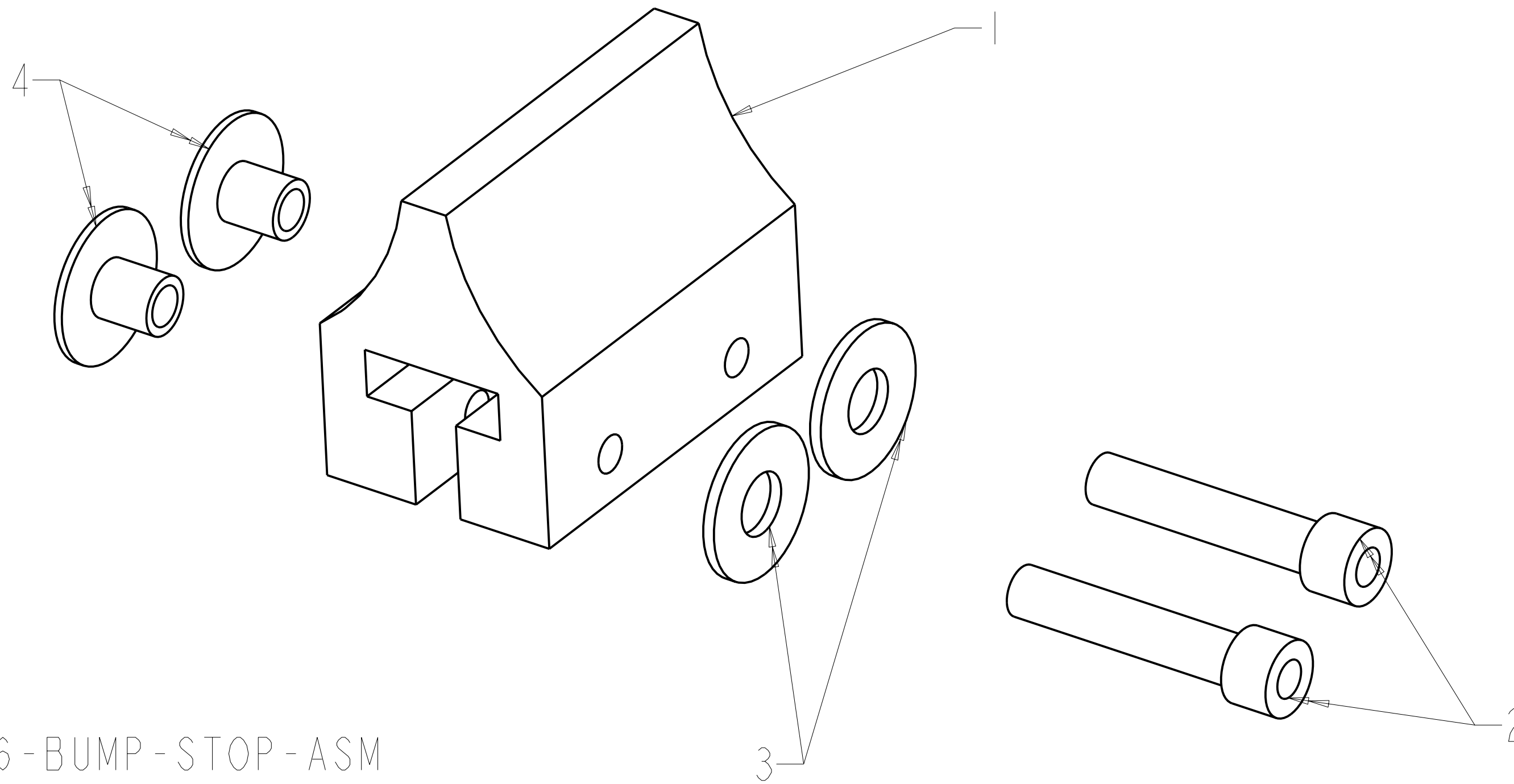
2008 4-WHEEL REAR AXLE ASSEMBLY



A4-RR-AXLE-ASY-4-K08

1	4-1326AL-K08
2	5-4395AL-K08
3	3-725-20MM-K08
4	8-5432535-K08
5	9-1125-8125-095
6	9-39-3_8-1-THK
7	9-3_8-LW
8	9-3_8X1-1_4-CS

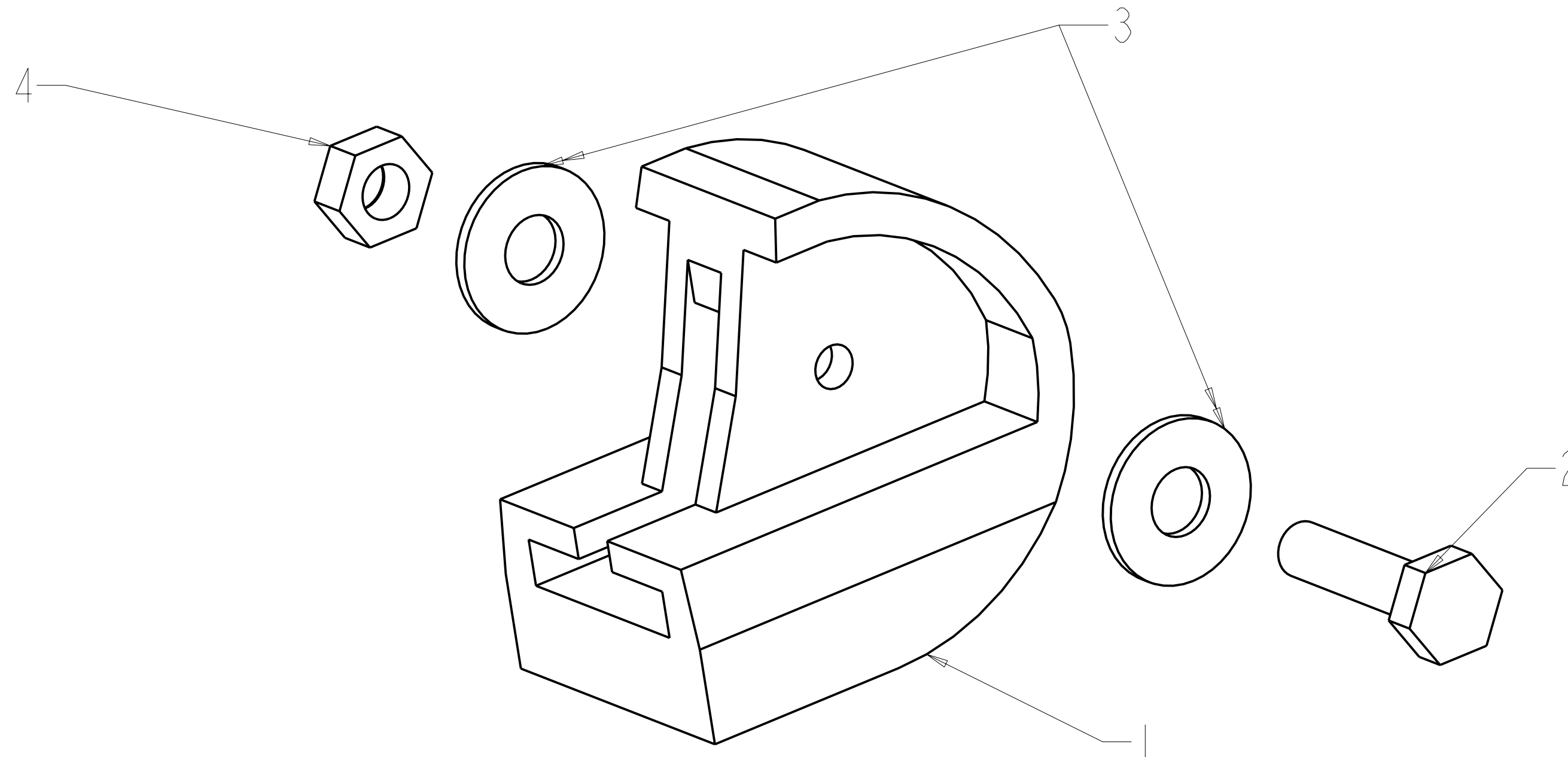
2008 BUMP STOP ASSEMBLY



A6-BUMP-STOP-ASM

1	A6-TU6050
2	9-1_4X1_25-SHCS
3	9-1_4-FW
4	9-1_4-20-TNUT

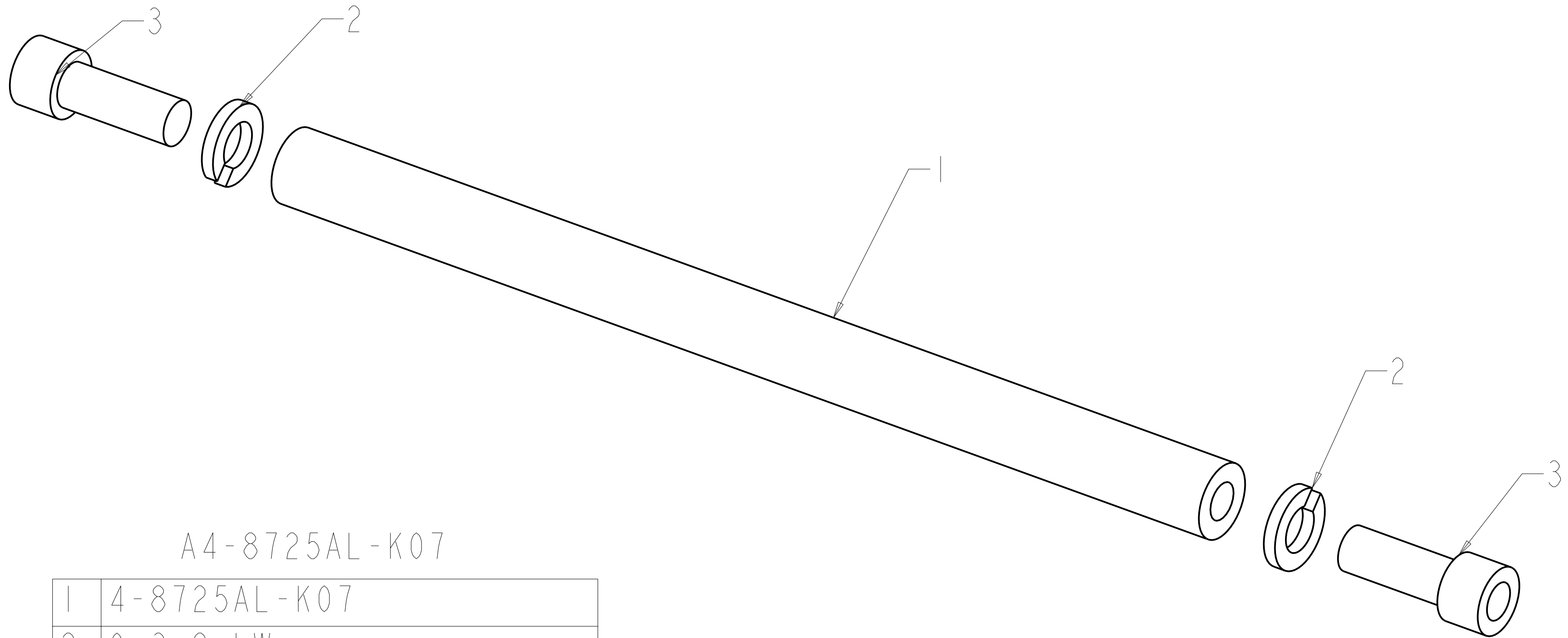
2008 RAIL TIP ASSEMBLY



A8-503191137

1	8-503191137
2	9-1_4X1
3	9-1_4-FW
4	9-1_4-NYLOC

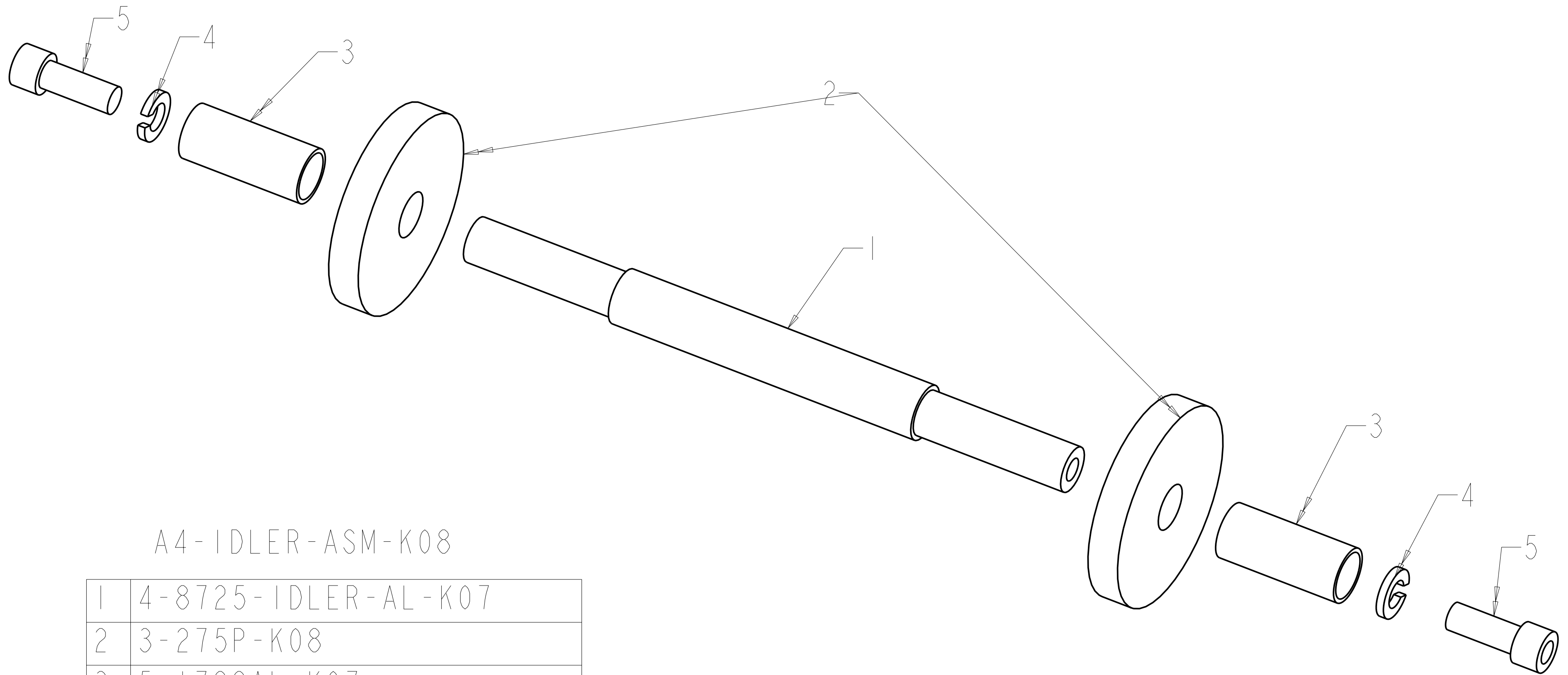
2008 SUPPORT SHAFT



A4-8725AL-K07

1	4-8725AL-K07
2	9-3_8-LW
3	9-3_8XI-SHCS

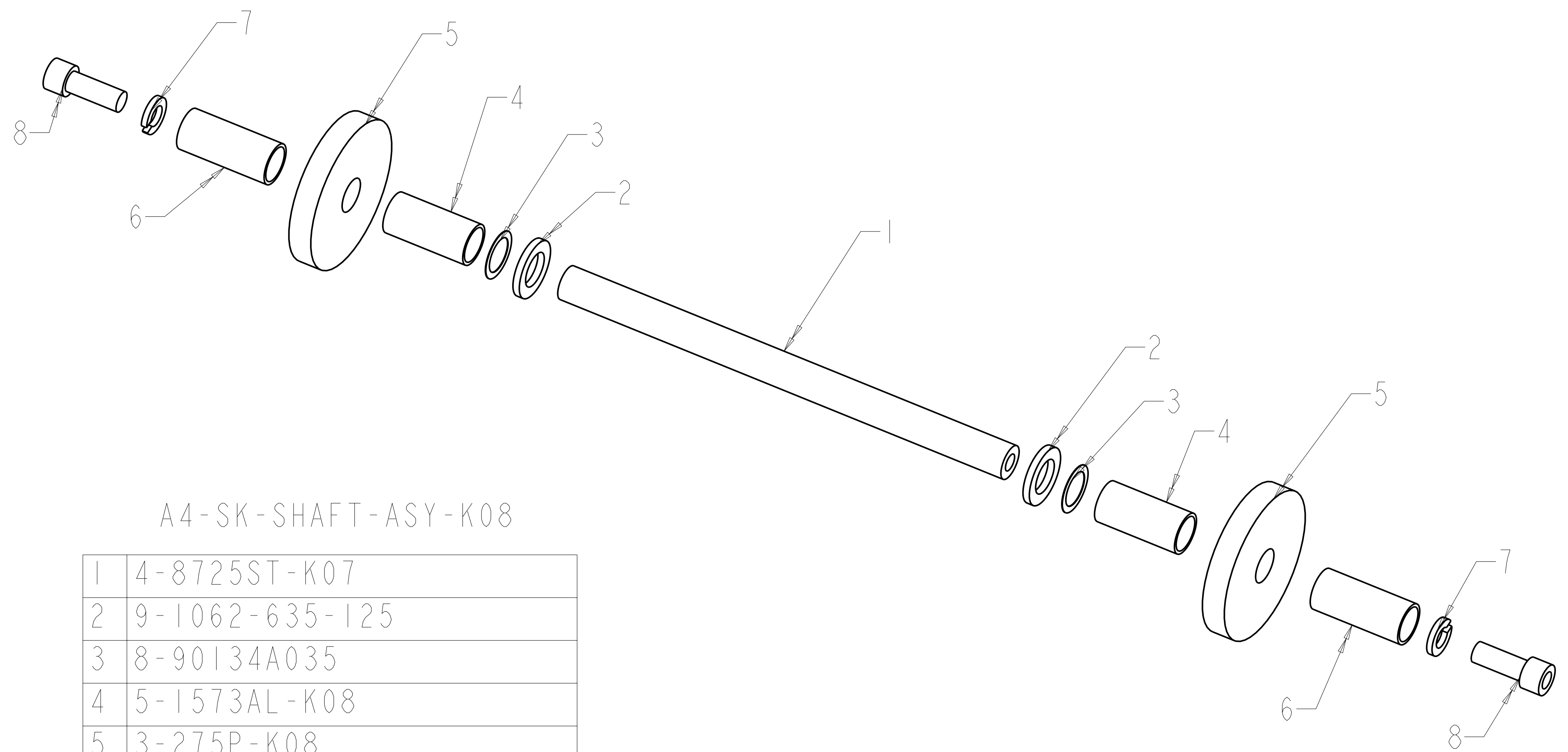
2008 IDLER WHEEL ASSEMBLY



A4-IDLER-ASM-K08

1	4-8725-IDLER-AL-K07
2	3-275P-K08
3	5-1722AL-K07
4	9-3_8-LW
5	9-3_8XI-SHCS

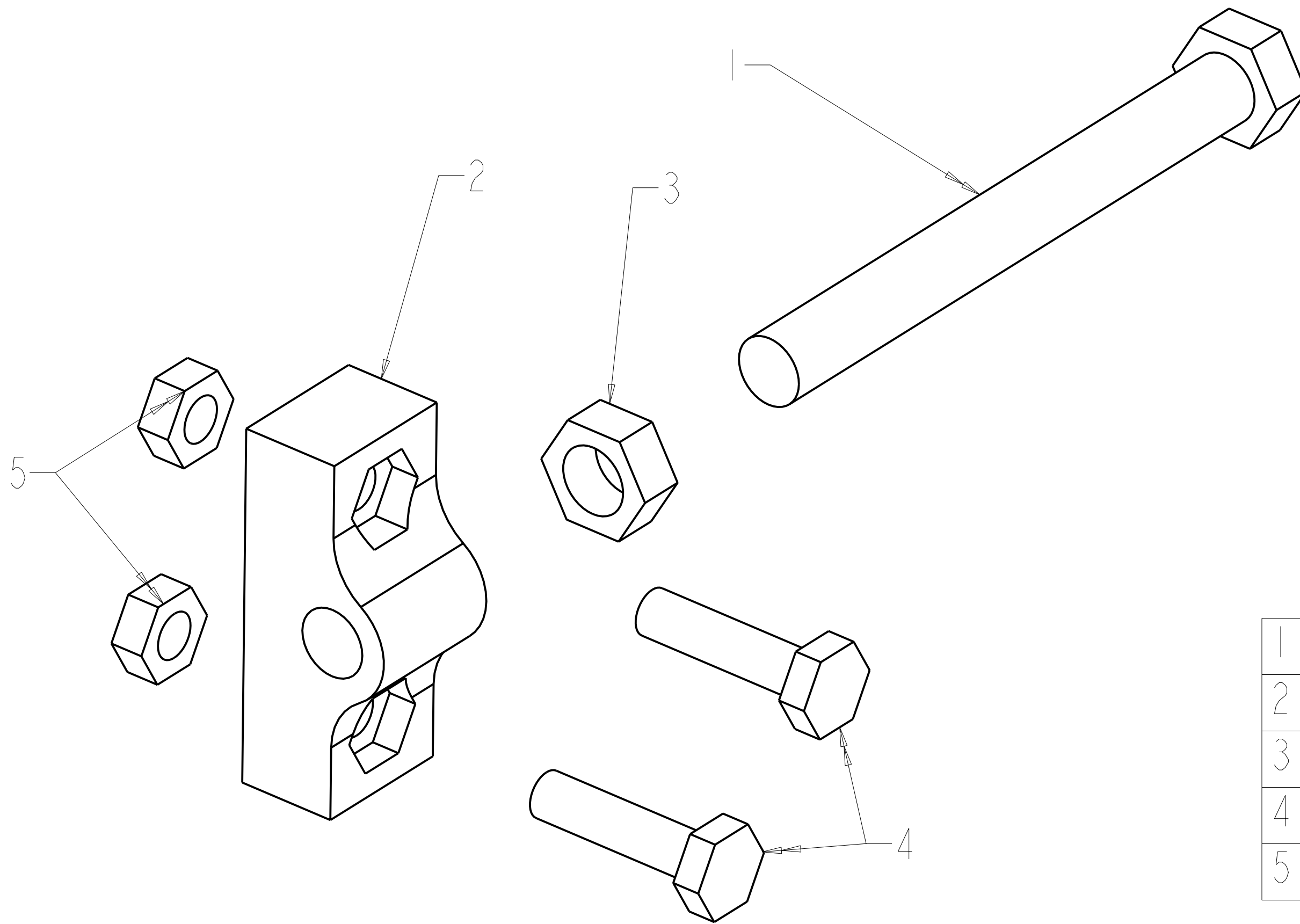
2008 FRONT TRACK SHOCK SHAFT



A4-SK-SHAFT-ASY-K08

1	4-8725ST-K07
2	9-1062-635-125
3	8-90134A035
4	5-1573AL-K08
5	3-275P-K08
6	5-1722AL-K07
7	9-3_8-LW
8	9-3_8XI-SHCS

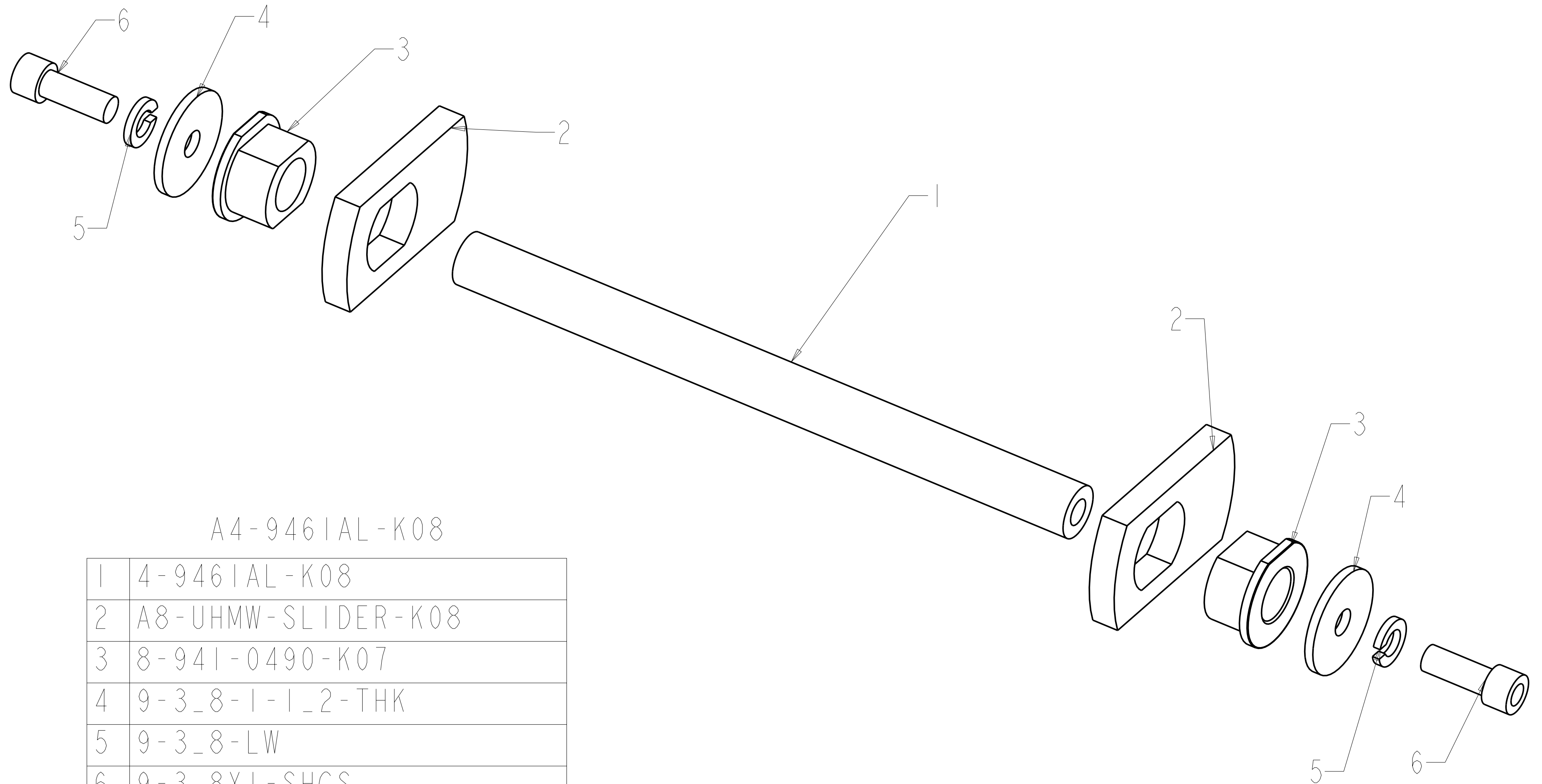
2008 REAR ADJUSTER ASSEMBLY



A8-ADJUSTER-ASM

1	9-3_3X3-1_2-CS
2	8-0704-352
3	9-3_8-NUT
4	9-1_4X1
5	9-1_4-NYLOC

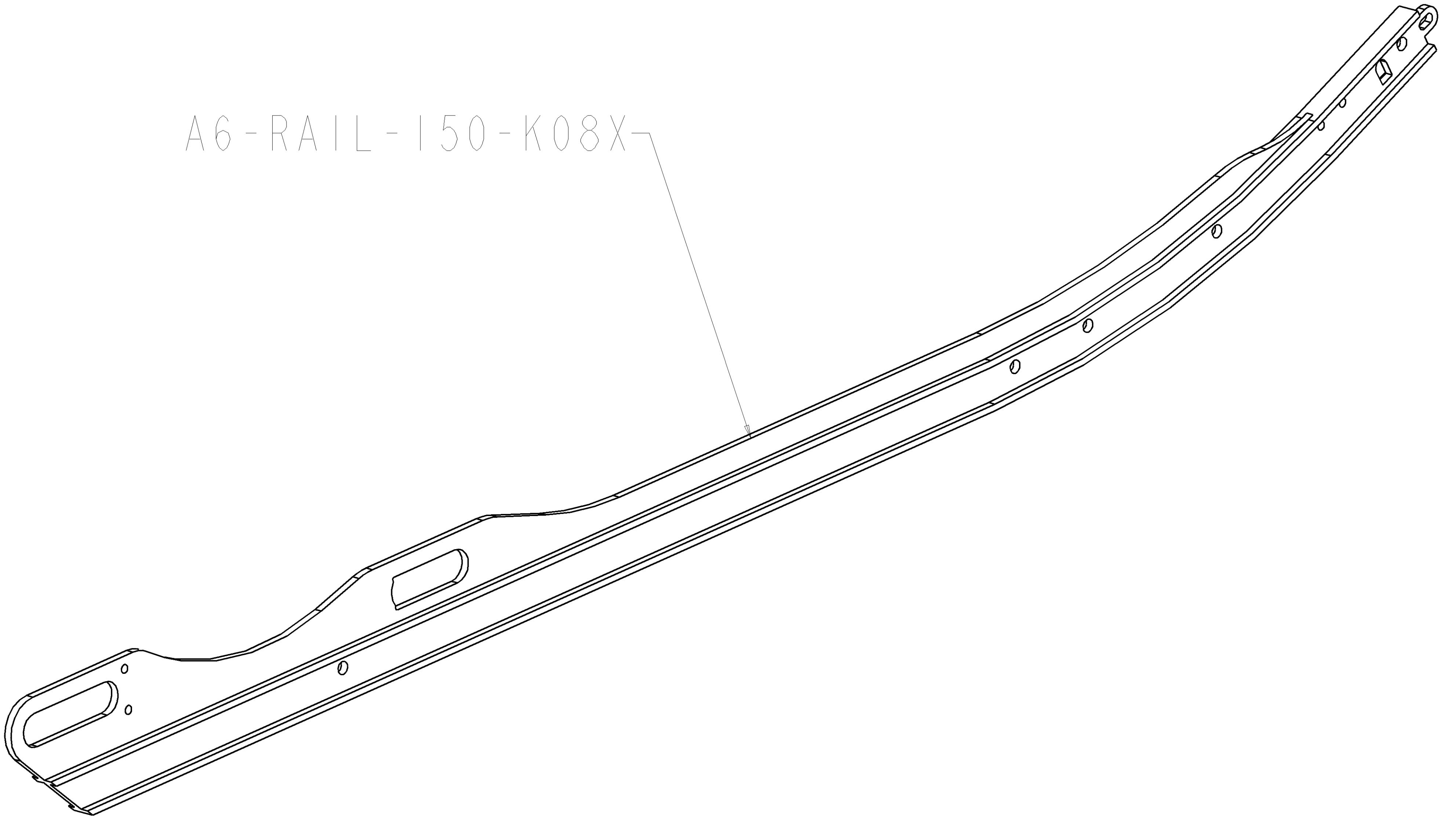
2008 SLIDER SHAFT ASSEMBLY



A4-9461AL-K08

1	4-9461AL-K08
2	A8-UHMW-SLIDER-K08
3	8-941-0490-K07
4	9-3_8-1-1_2-THK
5	9-3_8-LW
6	9-3_8X1-SHCS

A6-RAIL-150-K08X



A8-RESI-BKT-KIT

